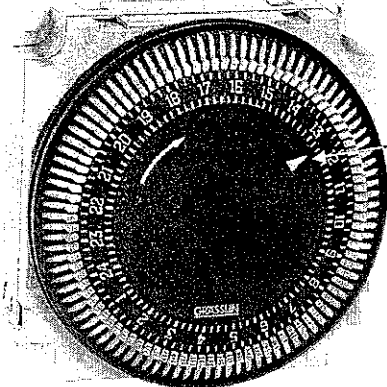


Programming guide

FM/1 synchronous or quartz time switch module

Setting up



The outer dial should be set to the current time. Rotate the dial slowly in a clockwise direction, until the correct hour is aligned with the arrow printed on the dial. Note that the outer dial is printed with the 24 hour clock – 8:00 a.m. = 8 on the dial. 8:00 p.m. = 20 on the dial. Clock hands (when fitted), will allow for fine adjustment of the current time setting of the dial.

Do not attempt to rotate the dial in an anti-clockwise direction.

Programming switching times

Set all tappets between the on and off times required, to the outer edge of the dial (see figure 1). E.g. to set on at 8:00 a.m. – Off at 1:00 p.m., push tappets between dial numbers 8 and 13 to outer edge of dial. Set any other required switching times in a similar manner.

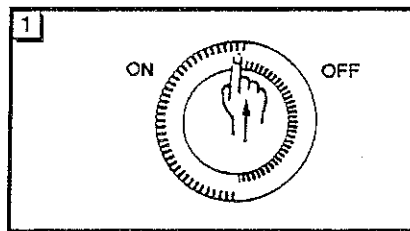
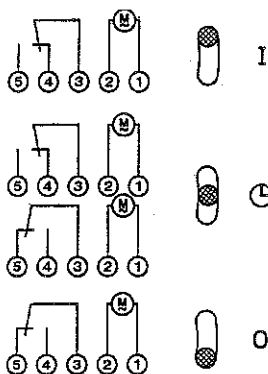
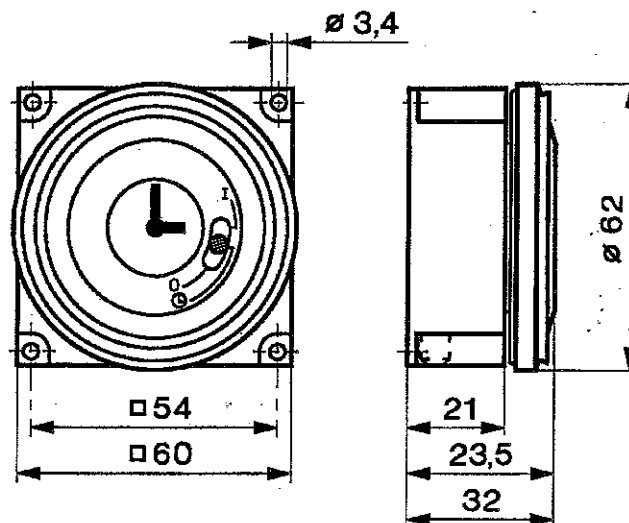


Figure 1

Manual switch operation (when fitted): The manual switch will provide Fixed On / Timed / Fixed Off control, thereby allowing manual control of the output without disrupting the timed (tappet) settings. Please see diagram below.



Manual switch position:
 I - On
 L - Timed
 0 - Off



FM/1 S/Q : Dimensional details