

Ferrol

Radio Thermostat Mechanical Clock

Part Number: 30800013

Installation & User Instructions



Suitable for all Ferrol Combination Boilers

Contents

	Page No.
Short Description	3
Safety Instructions	3
Receiver Installation	4 - 8
Installation Continued	9 - 10
Setting The Time	11
Set Heating ON/OFF Periods	12
Set Max/Min Room Temperatures	13
Manual Switch	13

Short Description

Short description Radio Thermostat Mechanical Clock - Transmitter

The Radio Thermostat Mechanical Clock is a 7 day radio frequency (RF) wireless thermostat/ timer which communicates with a special receiver designed to replace the universal digital timer fitted to most of Ferroli's combination boilers.

The Radio Thermostat Mechanical Clock is battery powered and can be sited wherever conventional room thermostats would normally be sited.

In combination with the Radio Thermostat Mechanical Clock receiver, the Radio Thermostat Mechanical Clock transmitter creates a room thermostat clock of highly advanced technology. The device is wireless and controls the heating boiler via radio, providing comfortable room temperatures.

Safety Instructions

Safety Instructions

Both receiver and transmitter should be fitted by a competent person.

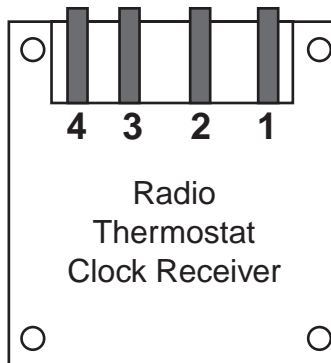
It is imperative to observe the generally applicable safety measures, such as: Before starting any work on fitting the receiver, switch off power supply and secure against switching on.

Do not use any metallic and sharp pointed objects for the operation of the keys.

For technical data, see label on the unit or data sheet.

Receiver Installation

Rear View of Receiver



Live (Brown) - Terminal 1

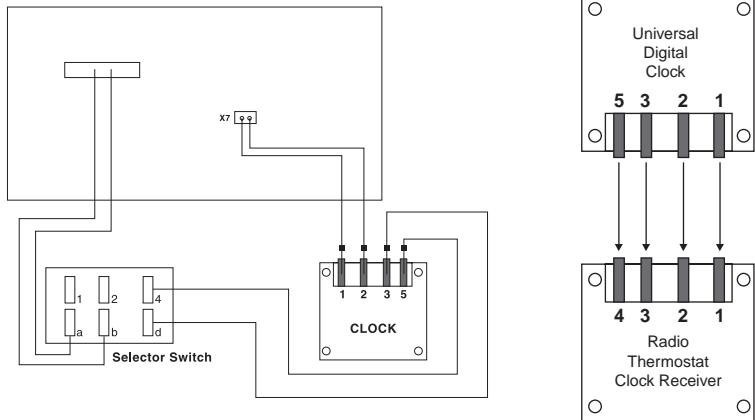
Neutral (Blue) - Terminal 2

Switching wires - Terminals 3 & 4

Please note: If replacing universal digital timer, please ensure you now use terminals 3 & 4, instead of 3 & 5 as per universal digital timer. (If wired incorrectly controller will work in reverse)

If you require further wiring details, please see following 4 pages for more detailed instructions.

Optima 01 Range

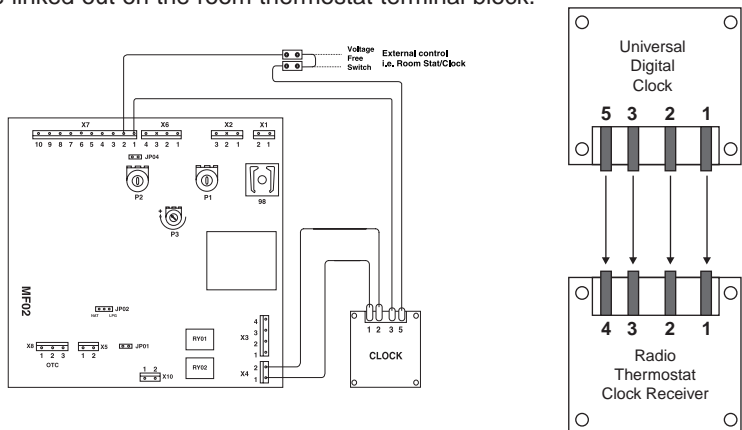


- Step 1** Remove clock from control panel.
- Step 2** Swap wiring as shown. **Make sure Live is connected to terminal 1 (wire colour is not conclusive of polarity)**
- Step 3** Fit receiver into control panel.

Note. If the Radio thermostat clock is going to replace the existing room thermostat this must be linked out on the room thermostat terminal block located in the electrical compartment on the underside of the boiler.

Domina, Modena and Falcon (MF02)

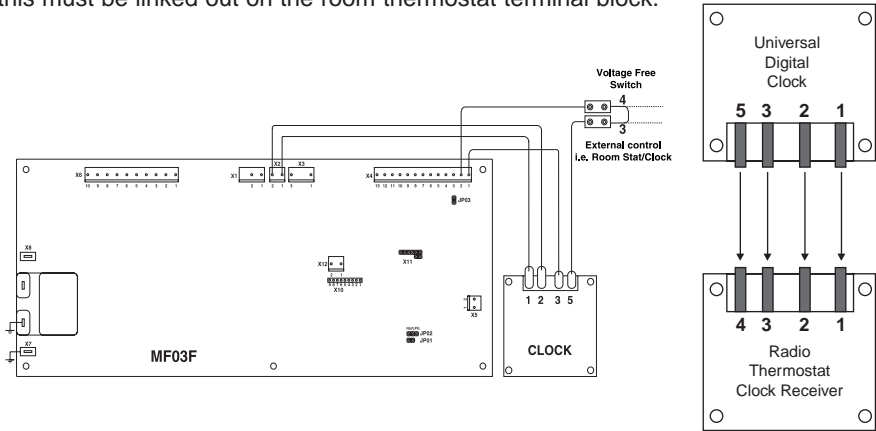
Note. If the Radio thermostat clock is going to replace the existing room thermostat this must be linked out on the room thermostat terminal block.



- Step 1** Remove clock from control panel.
- Step 2** Swap wiring as shown. **Make sure Live is connected to terminal 1 (wire colour is not conclusive of polarity)**
- Step 3** Fit receiver into control panel.

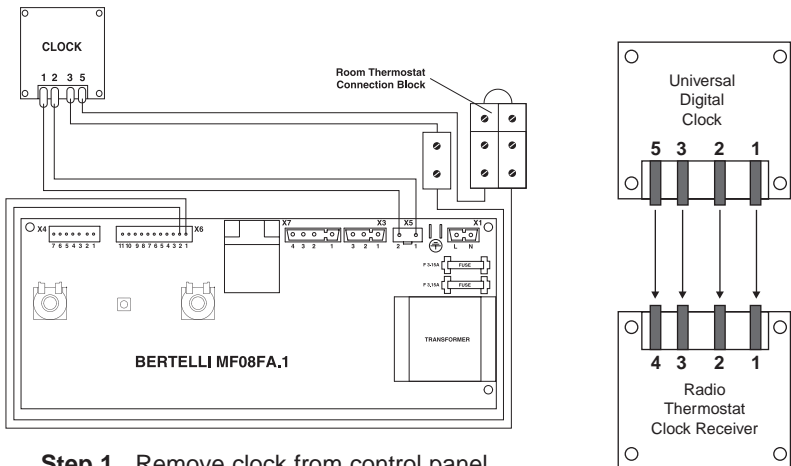
Domina, Modena and Falcon

Note. If the Radio thermostat clock is going to replace the existing room thermostat this must be linked out on the room thermostat terminal block.



- Step 1** Remove clock from control panel.
- Step 2** Swap wiring as shown. **Make sure Live is connected to terminal 1 (wire colour is not conclusive of polarity)**
- Step 3** Fit receiver into control panel.

Domicompact Range

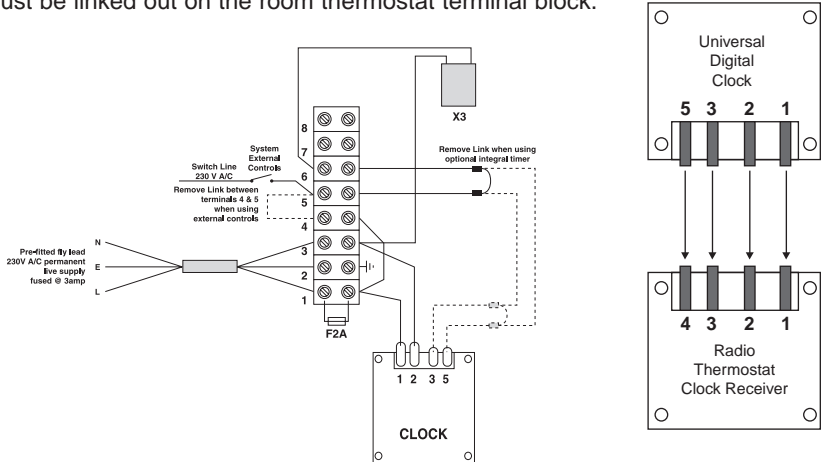


- Step 1** Remove clock from control panel.
- Step 2** Swap wiring as shown. **Make sure Live is connected to terminal 1 (wire colour is not conclusive of polarity)**
- Step 3** Fit receiver into control panel.

Note. If the Radio thermostat clock is going to replace the existing room thermostat this must be linked out on the room thermostat terminal block.

Optimax 25C

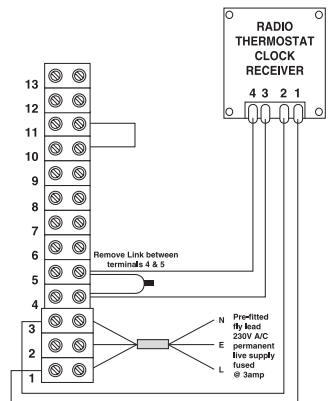
Note. If the Radio thermostat clock is going to replace the existing room thermostat this must be linked out on the room thermostat terminal block.



- Step 1** Remove clock from control panel.
- Step 2** Swap wiring as shown.
- Step 3** Fit receiver into control panel.

Maxima 35C

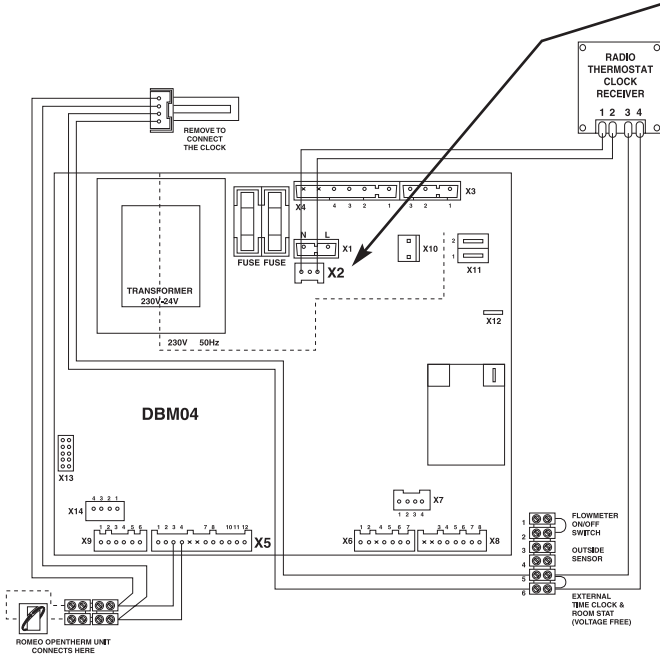
- Step 1** Remove the boiler front cover and lower the control box.
- Step 2** Remove the terminal block cover.
- Step 3** Cut off connect block bare back wires approx. 7mm and connect brown to terminal 1 and blue to terminal 3 on the outlet side of the block.
- Step 4** Connect brown and blue onto receiver terminals 1 and 2. **Make sure live is connected to terminal 1.**
- Step 5** Connect the two grey wires to terminal 3 and 4 on the receiver. On the main boiler terminal block remove link wire from terminals 4 and 5 and connect the two grey wires.



- Step 6** Place receiver on back of terminal block cover and mark two diagonally opposed fixing holes, with the cover removed drill two 2.2mm holes. Mount the receiver using the shortest two screws supplied with the radio thermostat.

Optimax HE Range

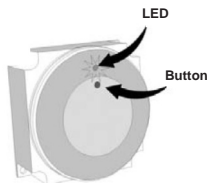
- Step 1** Remove boiler outer case and lower control box.
- Step 2** Remove control box cover.
- Step 3** Connect brown and blue JST plug onto PCB terminal block X2.



- Step 4** Connect brown and blue onto receiver terminals 1 and 2. **Make sure live is connected to terminal 1. (the wire colour is not conclusive of polarity).**
- Step 5** Connect the two grey wires to terminal 3 and 4 on the receiver. On the main boiler terminal block remove link wire from terminals 5 and 6 and connect the two grey wires.
- Step 6** Place receiver on back of terminal block cover and mark two diagonally opposed fixing holes, with the cover removed drill two 2.2mm holes. Mount the receiver using the shortest two screws supplied with the radio thermostat.

Installation

ATTENTION!



Radio link installation

1. Press receiver button and hold down for 2 seconds. The LED flashes twice. Then release the button. The LED remains on between 1 and 10 seconds. When a correct link between the transmitter and receiver has been established the LED goes off. Subsequent RF transmissions are indicated visually by a momentary flash of the LED (approx every 5 seconds).

2. Install the batteries onto the transmitter, the receiver LED will go out. The radio link between the transmitter and receiver is now established.

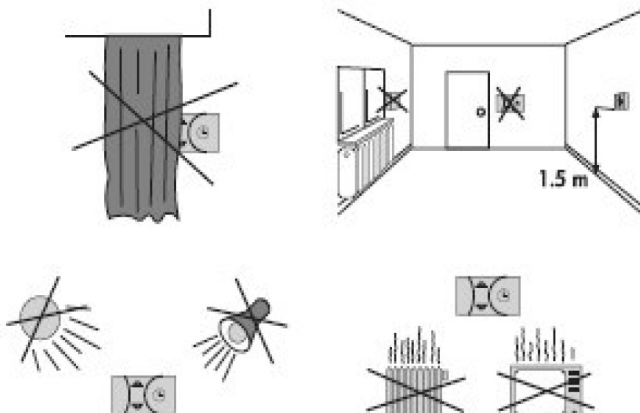
Note: If no reception is possible it has to be checked whether any metallic cupboards or other metallic obstacles may interfere.

Note: During a demand the LED will show a solid light.

Emergency running mode

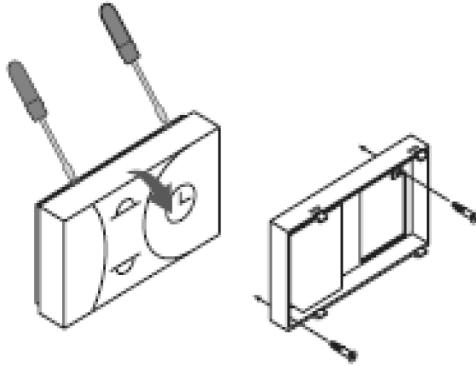
If no valid radio signal is received from the transmitter, the receivers LED light will flash every half second. After 1 hour the boiler will operate in 'Emergency Mode' (heating for 4 min. and off for 9 min.). Ensure the batteries are ok, replace batteries if necessary.

Location

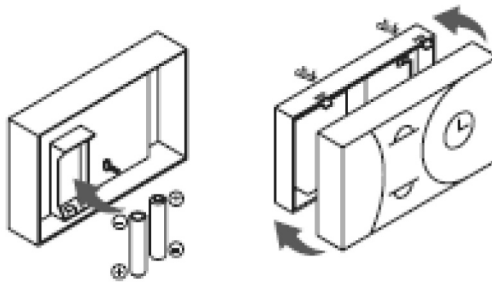


Installation

Mounting the wall plate



Battery installation

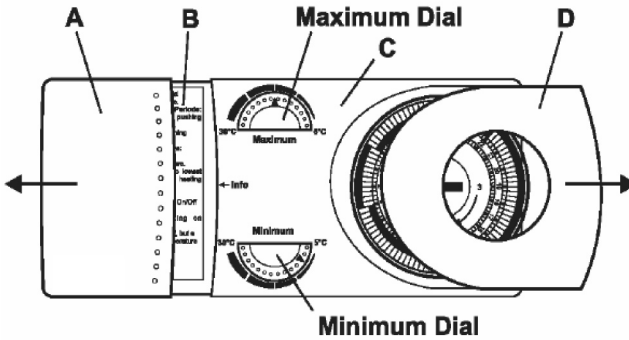


Locate and fit the transmitter, taking into consideration where not to position the transmitter as shown. The following can reduce, deflect or block radio frequency signals between the transmitter and receiver.

- A. Steel reinforced walls.
- B. Large metallic objects e.g. kitchen appliances, filling cabinets, mirrors etc.
- C. Maximum distance between the receiver and transmitter is:-
 1. In open air 50m.
 2. In building 20m to 30m depending on radar obstruction.

Setting the time

Note: Panel (A) slides back to reveal reference instructions (B).

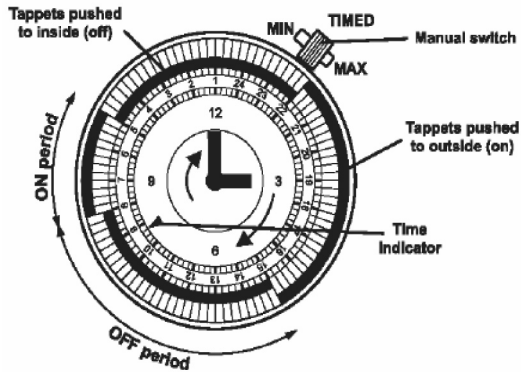


Slide cover (D) off the transmitter.

Turn the outer dial clockwise to set the clock hands to the correct time.
Ensure the time corresponds with the correct time on the 24hr dial.
3.00pm = 15.00 not 3.00.

Note: Do not rotate anti-clockwise or damage may occur to the unit. Rotate the minute hand with your finger to set the exact time.

Set Heating ON/OFF Periods



Select the ON times by pushing the tappets to the outside.

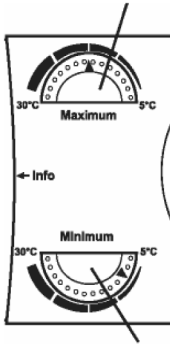
Select the OFF times by pushing the tappets to the inside.

Above shows the clock set as follows:

ON	3.00pm	to	10.00pm	(15.00-22.00)
OFF	10.00pm	to	5.00am	(22.00-5.00)
ON	5.00am	to	8.00am	(5.00-8.00)
OFF	8.00am	to	3.00pm	(8.00-15.00)

Set Max/Min Room Temperatures

Maximum Dial

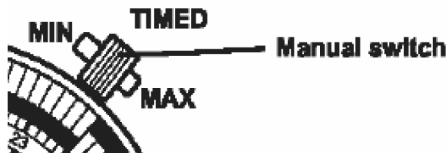


Minimum Dial

Maximum setting - Rotate the Maximum dial to give the required room temperature up to 30°C when heating is on.

Minimum setting - Rotate the Minimum dial to a lower temperature down to 5°C to ensure that when the heating is off a minimum room temperature is maintained.

Manual Switch



The clock has a manual heating ON/OFF switch which operates as follows:

- Timed Position - Heating ON/OFF as set by tappets.
- Max Position - Heating ON continuously.
- Min Position - Heating OFF, but a minimum set room temperature is maintained.

Notes

Notes



Because of our constant endeavour for improvement details
may vary from those quoted in these instructions

Should you require any assistance during the
installation call our Technical Service Helpline on
08707 282 885 option 1

Ferroli Limited,
Lichfield Road, Branston Industrial Estate, Burton-Upon-Trent,
Staffordshire. DE14 3HD
Service/Technical Tel: 08707 282 885 Fax: 08707 282 886
Sales Tel: 08707 282 882 Fax: 08707 282 883